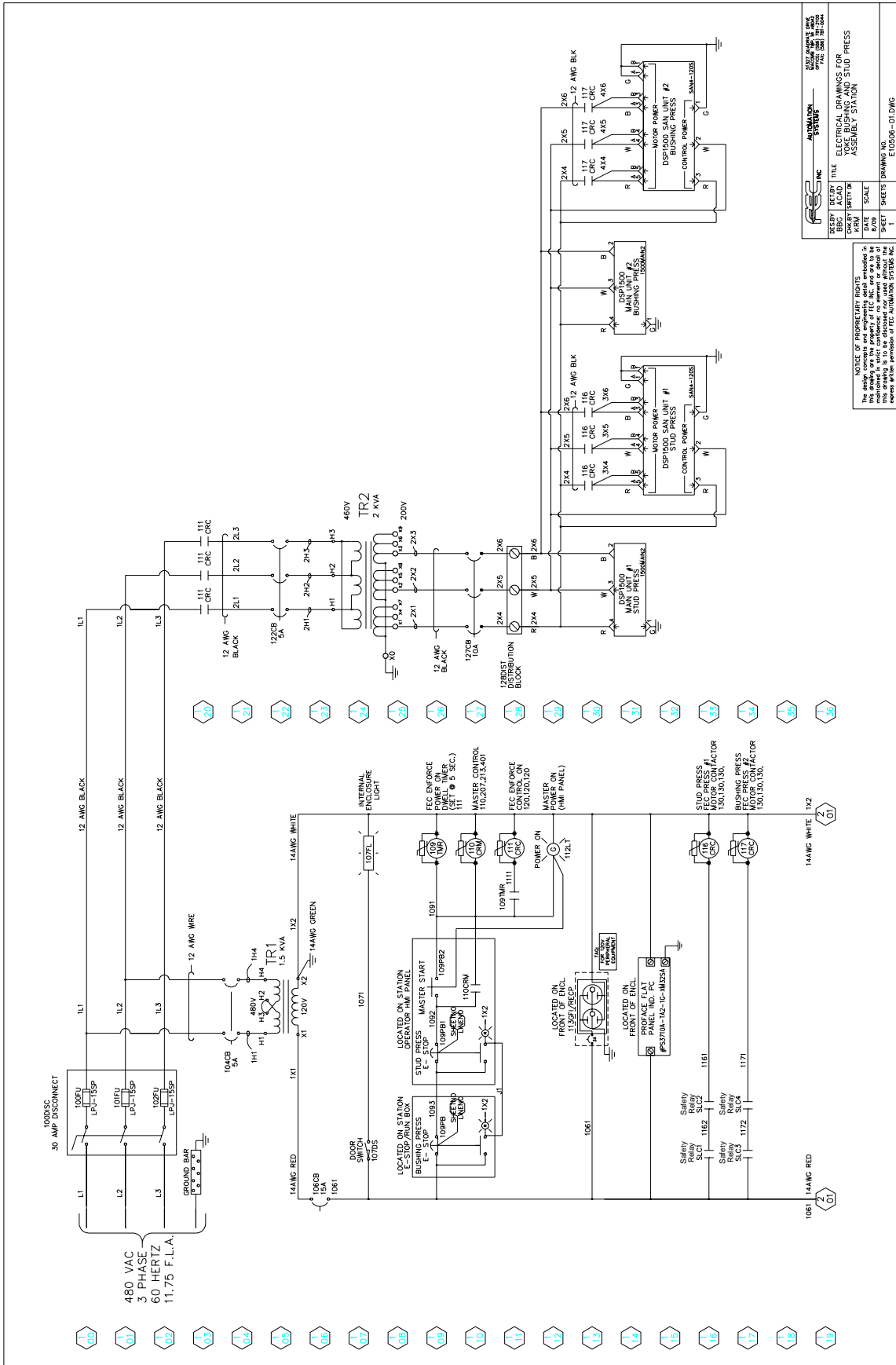


Appendix A: Reference Drawings

Power Wiring Reference (SAN4)



System Transformers

INPUT H4,H5,H6
400V
60 HERTZ
3 PHASE

INPUT H1,H2,H3*
460V
60 HERTZ
3 PHASE

OUTPUT X1,X2,X3
200V

OUTPUT X4,X5,X6
220V

OUTPUT X7,X8,X9
240V

CHANGES

- 5/95 ADDED 230V PRIMARY OPTION
- 10/97 ADDED 380V PRIMARY OPTION
- 5/00 ADDED 400V PRIMARY TAP OPTION
- 5/03 ADDED 575V PRIMARY TAP OPTION

ENCLOSURE

TOTAL CAPACITY

- FEC-1200-1K : 1.0KVA
- FEC-1200-2K : 2.0KVA
- FEC-1200-3K : 3.0KVA
- FEC-1200-4K : 4.0KVA
- FEC-1200-5K : 5.0KVA

* " -230" @ END OF PART#
DENOTES 230VAC PRIMARY

* " -380" @ END OF PART#
DENOTES 380VAC PRIMARY

ADD "55" TO END OF PART # FOR 55° TEMP. RISE.(EX. FEC-1200-1K55)

* " -400" @ END OF PART#
DENOTES 400VAC PRIMARY
ADDITIONAL TAP

CLASS A 115° TEMP. RISE INSULATION SYSTEM PT-180E

DIMENSION (IN.)

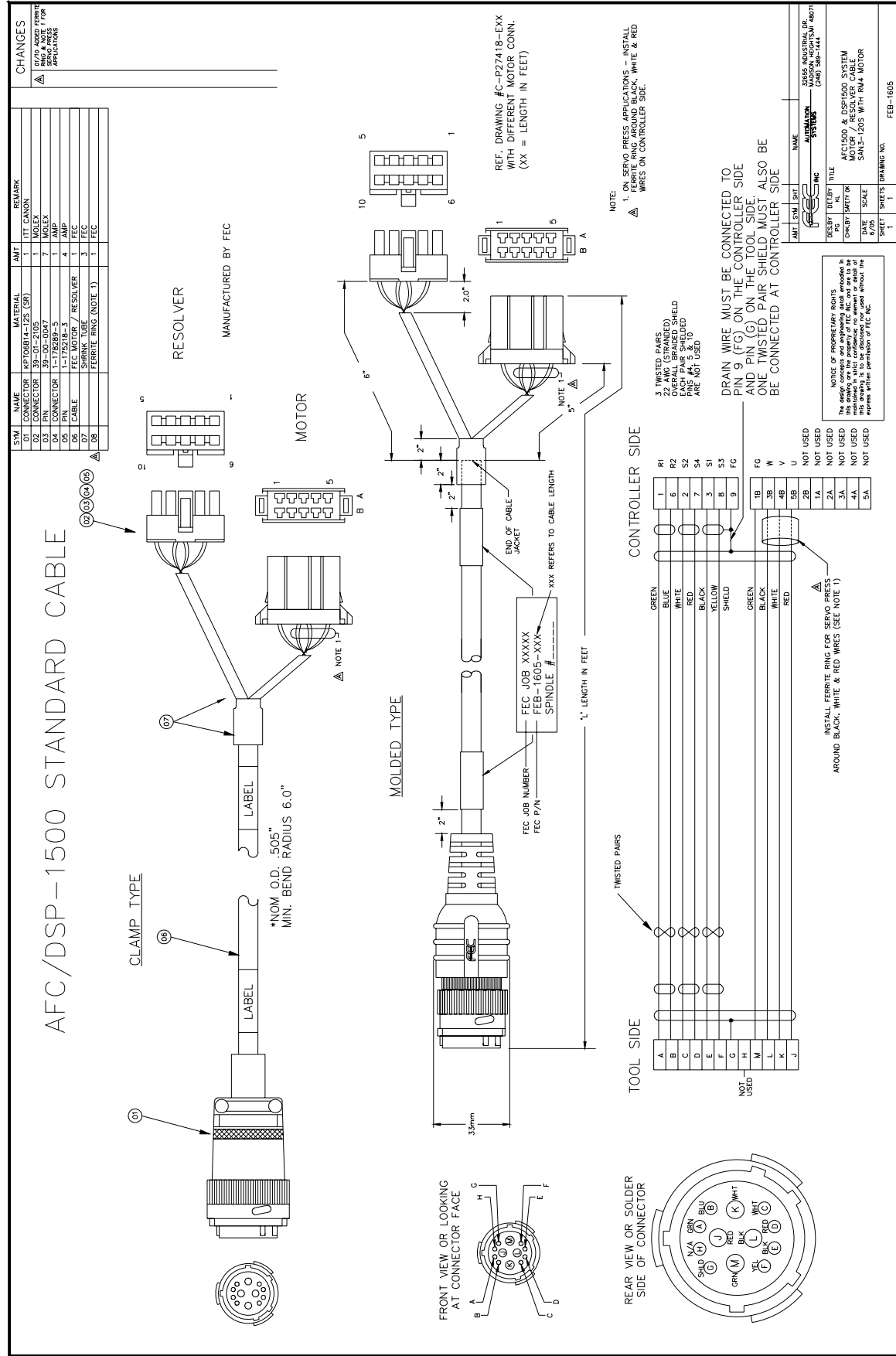
	A	B	C	D	E
12.0	10.75	7	8.5	9.5	
15.25	12.38	8.63	8.5	10.88	
15.25	12.38	8.63	8.5	10.88	
15.25	12.38	8.63	8.5	10.88	
15.25	12.38	8.63	8.5	10.88	

* " -575" @ END OF PART#
DENOTES 575VAC PRIMARY

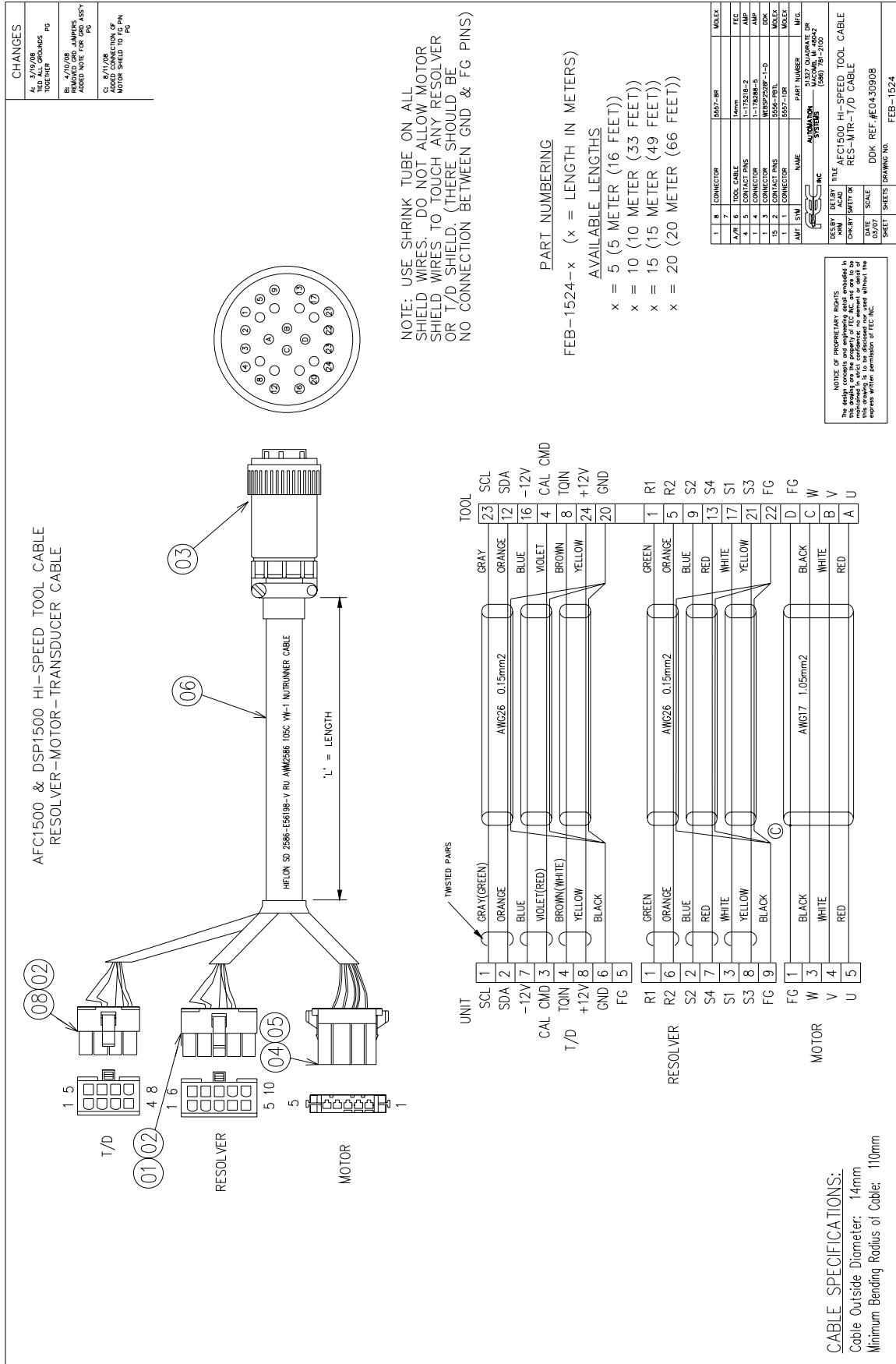
AMT	SYM	SHT	NAME
			AUTOMATION SYSTEMS INC
			51327 Quadrate Drive Macomb Twp., MI 48042 (810) 781-2100

DESBY	DETBY	TITLE
CHKBY	SAFETY OK	DSP-1500 TRANSFORMER
PG	SCALE	
DATE	4/8/93	N.A.
SHEET	1	DRAWING NO. FEA 1030
SHEETS	1	

Motor / Resolver Homerun Cable (DPT & DPS) – (RM4 Motor)



Motor / Resolver / Load Cell Homerun Cable (DPM Series)



Motor / Resolver / Load Cell Extension Cable (DPM Series)

AFC1500 & DSP1500 HI-SPEED TOOL EXTENSION CABLE
RESOLVER-MOTOR-TRANSDUCER CABLE

NOTE: USE SHRINK TUBE ON ALL SHIELD WIRES. DO NOT ALLOW MOTOR SHIELD WIRES TO TOUCH ANY RESOLVER OR T/D SHIELD. (THERE SHOULD BE NO CONNECTION BETWEEN GND & FG PINS)

PART NUMBERING
FEB-1525-x (x = LENGTH IN METERS)
AVAILABLE LENGTHS
x = 5 (5 METER (16 FEET))
x = 10 (10 METER (33 FEET))
x = 15 (15 METER (49 FEET))

UNIT	23	12	16	4	8	24	20	1	5	9	13	17	21	22	D	C	B	V	A
SOL	GRAY	ORANGE	BLUE	VIOLET	BROWN	YELLOW	GREEN	ORANGE	BLUE	RED	WHITE	YELLOW	BLACK	BLACK	WHITE	WHITE	RED		
SDA	GRAY(GREEN)	ORANGE	BLUE	VIOLET(RED)	BROWN(WHITE)	YELLOW	GREEN	ORANGE	BLUE	RED	WHITE	YELLOW	BLACK	BLACK	WHITE	WHITE	RED		
-12V																			
CAL CMD																			
TQIN																			
+12V																			
GND																			
R1																			
R2																			
S2																			
S4																			
S1																			
S3																			
FG																			
FG																			
W																			
V																			
U																			

AWG26 0.15mm² (twisted pairs)
AWG26 0.15mm²
AWG17 1.05mm²

CHANGES

3/10/08	TID ALL GROUND PINS TOGETHER	PG
4/10/08	ADD AMPERS AND ADD NOTE FOR DDC ASSY	PG
8/11/08	REVISION OF MOTOR SHIELD TO 12 PIN	PG

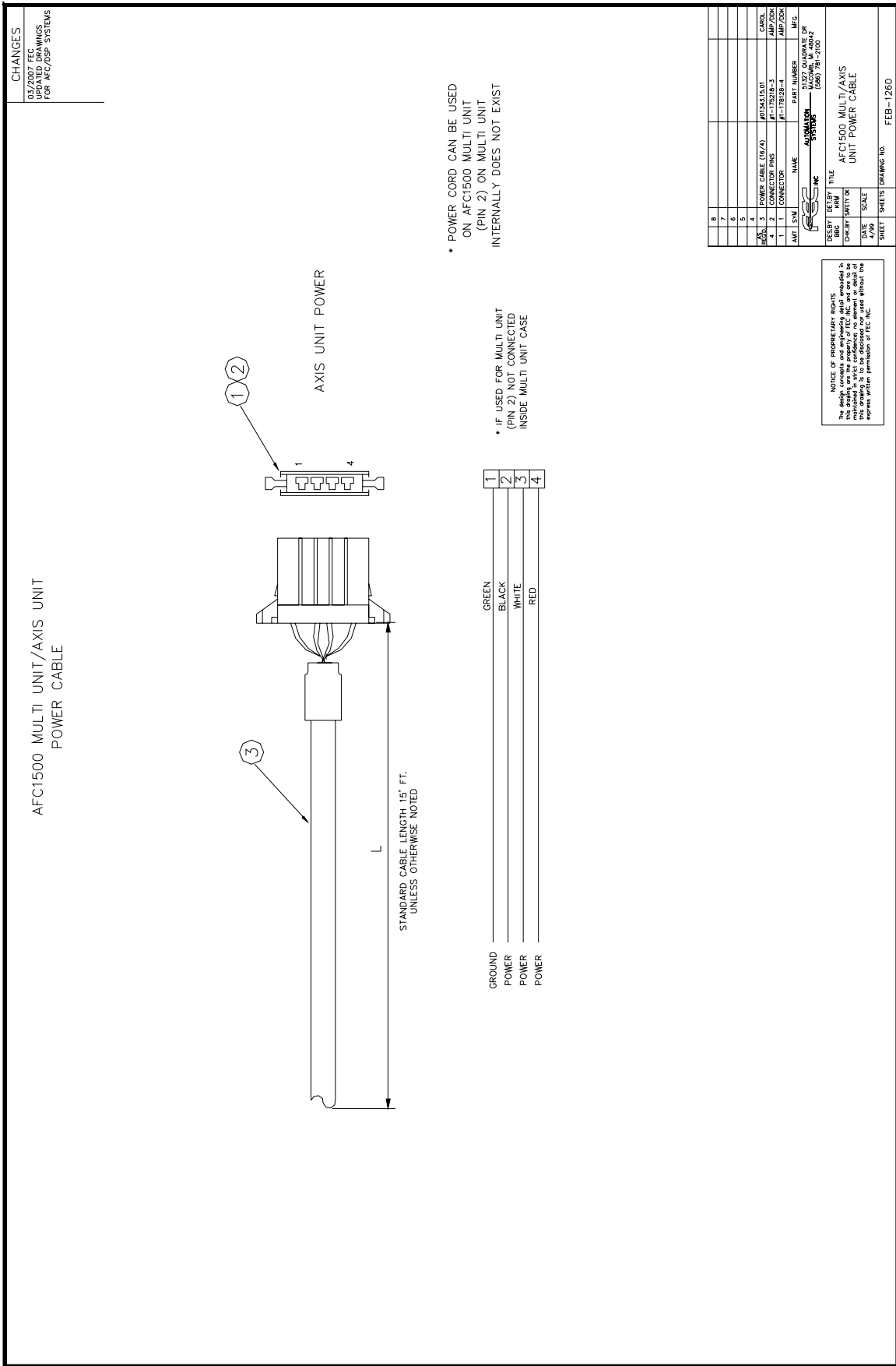
NOTICE OF INTELLECTUAL PROPERTY RIGHTS
The design, content and appearance of this drawing are the property of IEC, Inc. and are to be used only for the specific project and for the specific application. No part of this drawing is to be disclosed or used without the express written permission of IEC, Inc.

CABLE SPECIFICATIONS:
Cable Outside Diameter: 14mm
Minimum Bending Radius of Cable: 110mm

DESIGN	REV	DATE	TITLE
001	001	03/07	AFC1500 HI-SPEED TOOL CABLE
002	001	03/07	RES-MTR-T/D EXT. CABLE
003	001	03/07	DDK REF.#E04-30909

DRWING NO. FEB-1525

SAN3/4-24S/24HS/40S Power Cable



CHANGES

03/2007	FEC	UPDATED DRAWINGS FOR AFC/DSP SYSTEMS
---------	-----	--------------------------------------

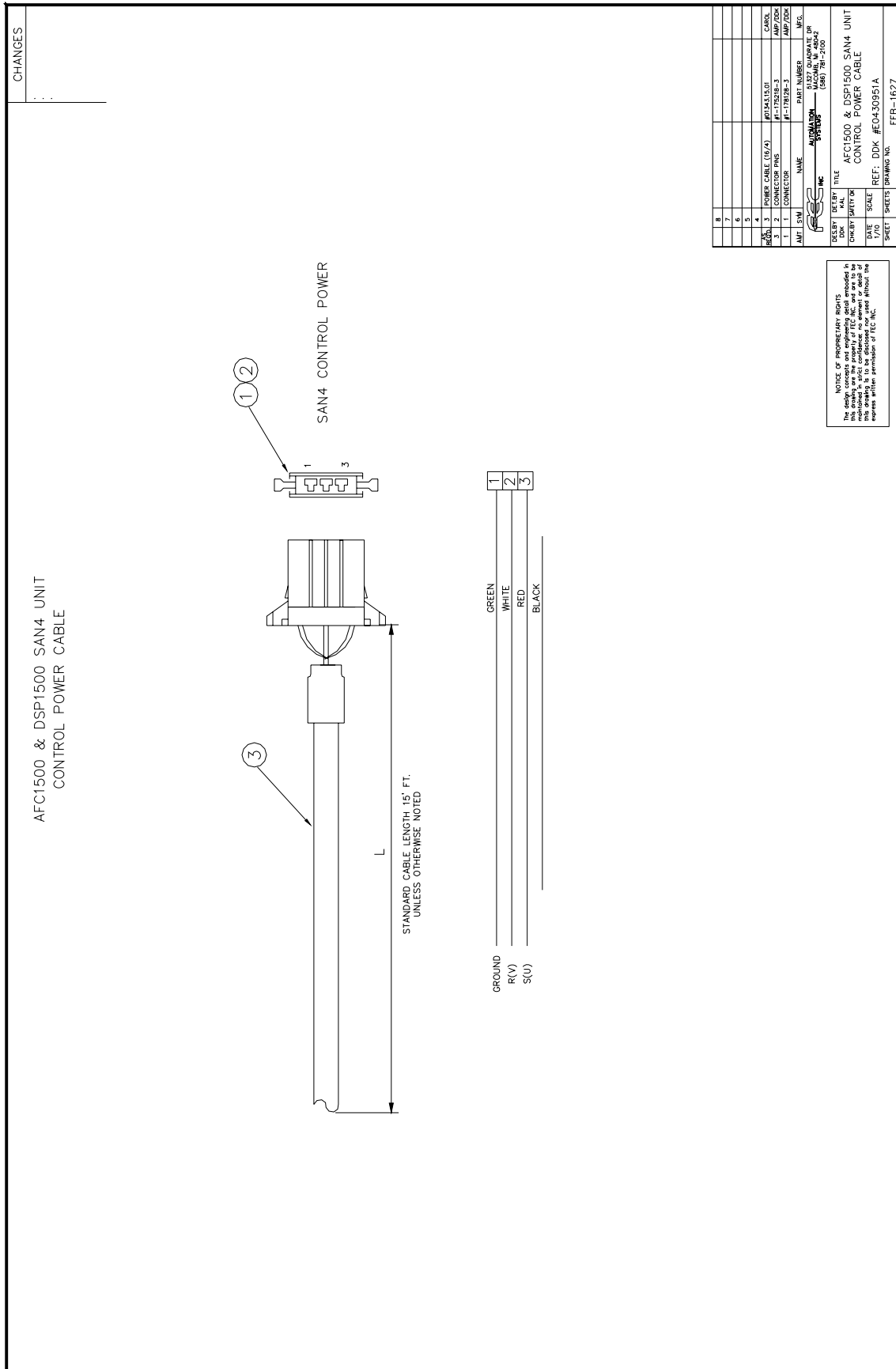
6			
7			
8			
9			
10			
11			
12			
13			
14			
15			
16			
17			
18			
19			
20			
21			
22			
23			
24			
25			
26			
27			
28			
29			
30			
31			
32			
33			
34			
35			
36			
37			
38			
39			
40			
41			
42			
43			
44			
45			
46			
47			
48			
49			
50			
51			
52			
53			
54			
55			
56			
57			
58			
59			
60			
61			
62			
63			
64			
65			
66			
67			
68			
69			
70			
71			
72			
73			
74			
75			
76			
77			
78			
79			
80			
81			
82			
83			
84			
85			
86			
87			
88			
89			
90			
91			
92			
93			
94			
95			
96			
97			
98			
99			
100			

NOTICE OF INFRINGEMENT: THE RIGHTS OF THE DESIGNER ARE RESERVED. THIS DRAWING IS THE PROPERTY OF IFC, INC. AND IS TO BE USED ONLY FOR THE PROJECT AND SITE SPECIFICALLY IDENTIFIED HEREIN. THIS DRAWING IS TO BE DISCLOSED OR USED WITHOUT THE EXPRESS WRITTEN PERMISSION OF IFC, INC.

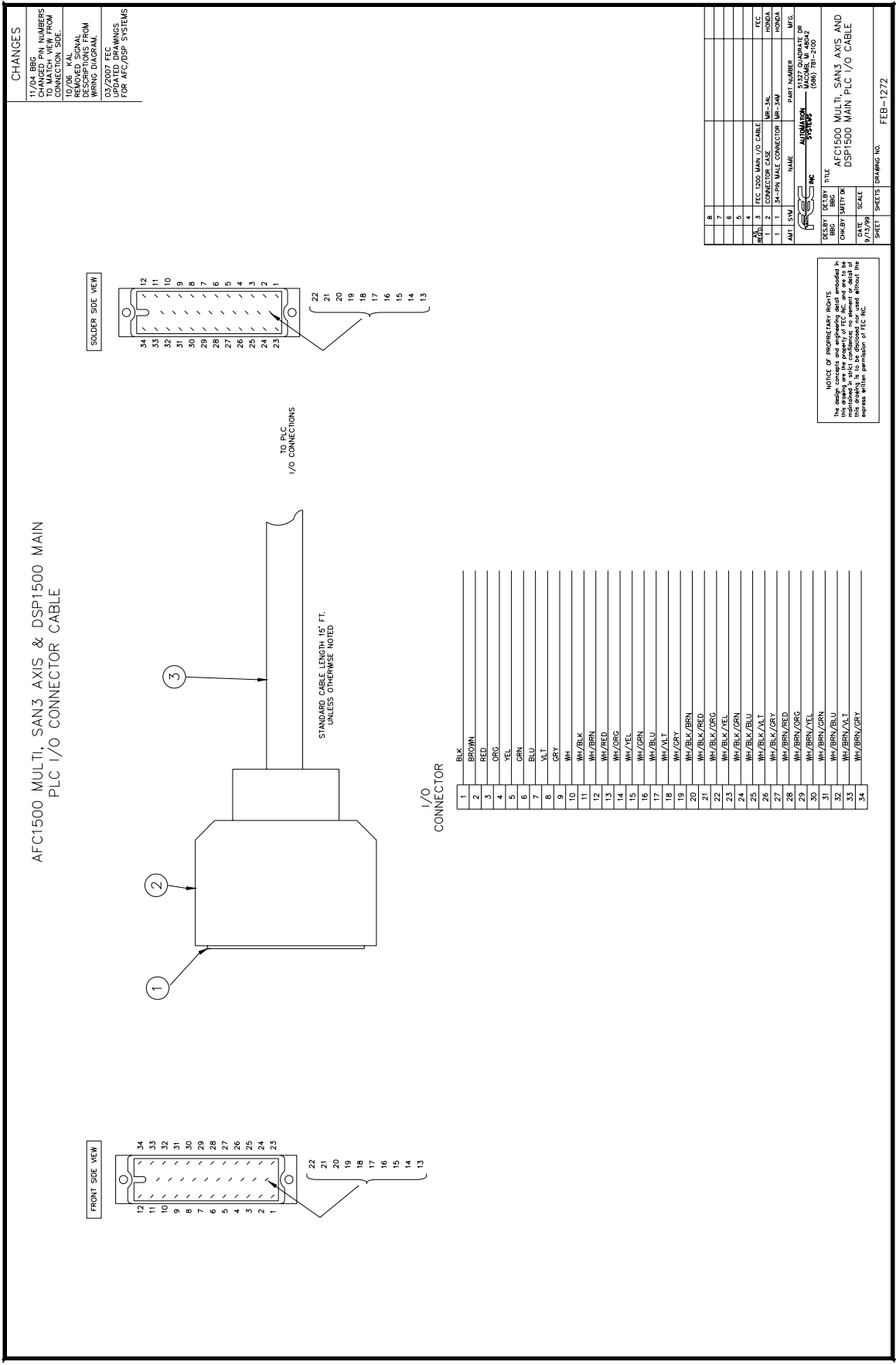
DESIGN	DATE	SCALE	SHEET
BY	4/99		1
CHECKED			
BY			
DATE			
SCALE			
SHEET			

DESIGN TITLE: AFC1500 MULTI/AXIS UNIT POWER CABLE
 DRAWING NO.: FEB-1260

SAN4 Control Power Cable



I/O Connection Cable



External Brake Unit (Maintenance Lock) Cable (DPT Series)

