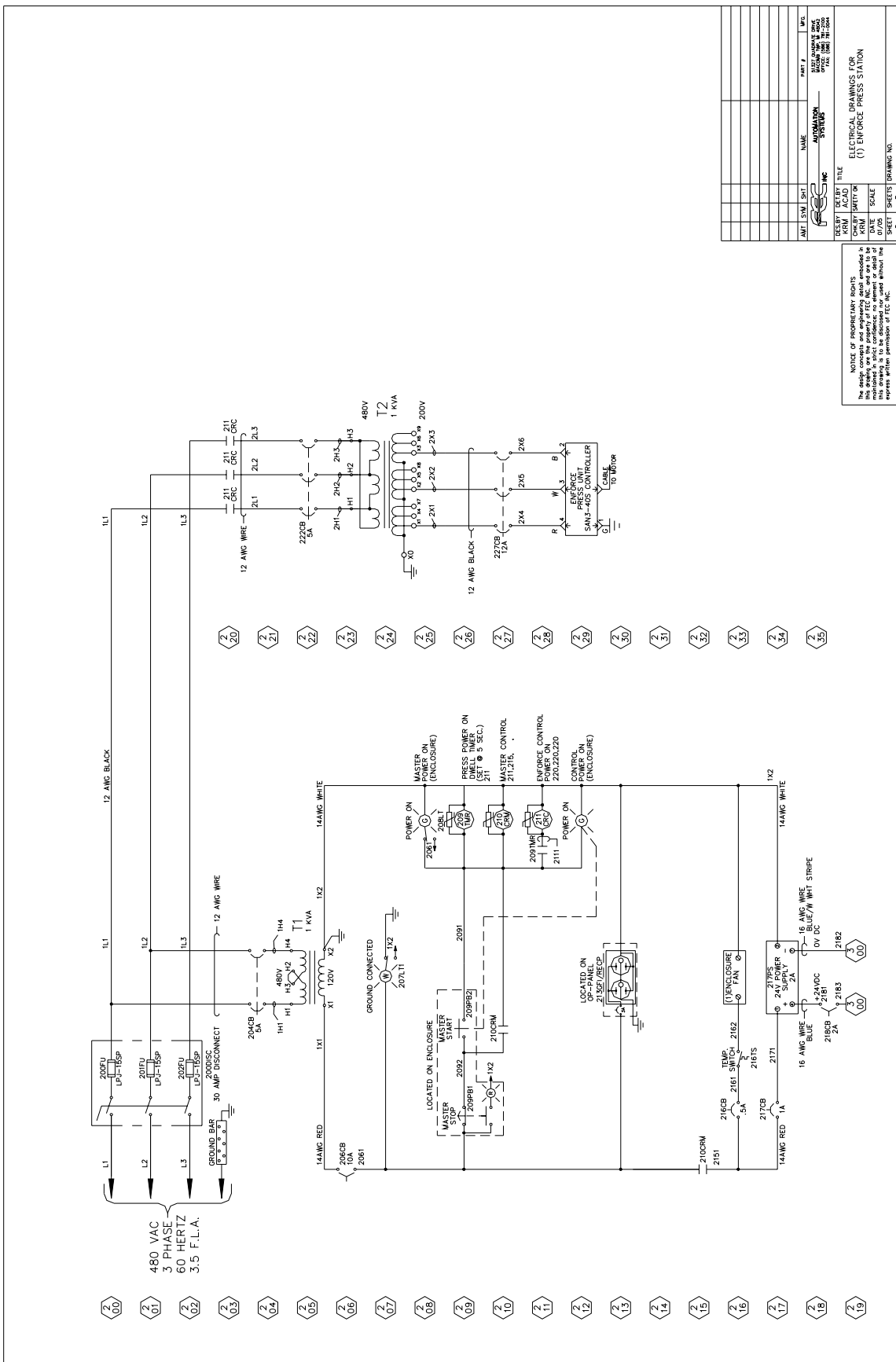
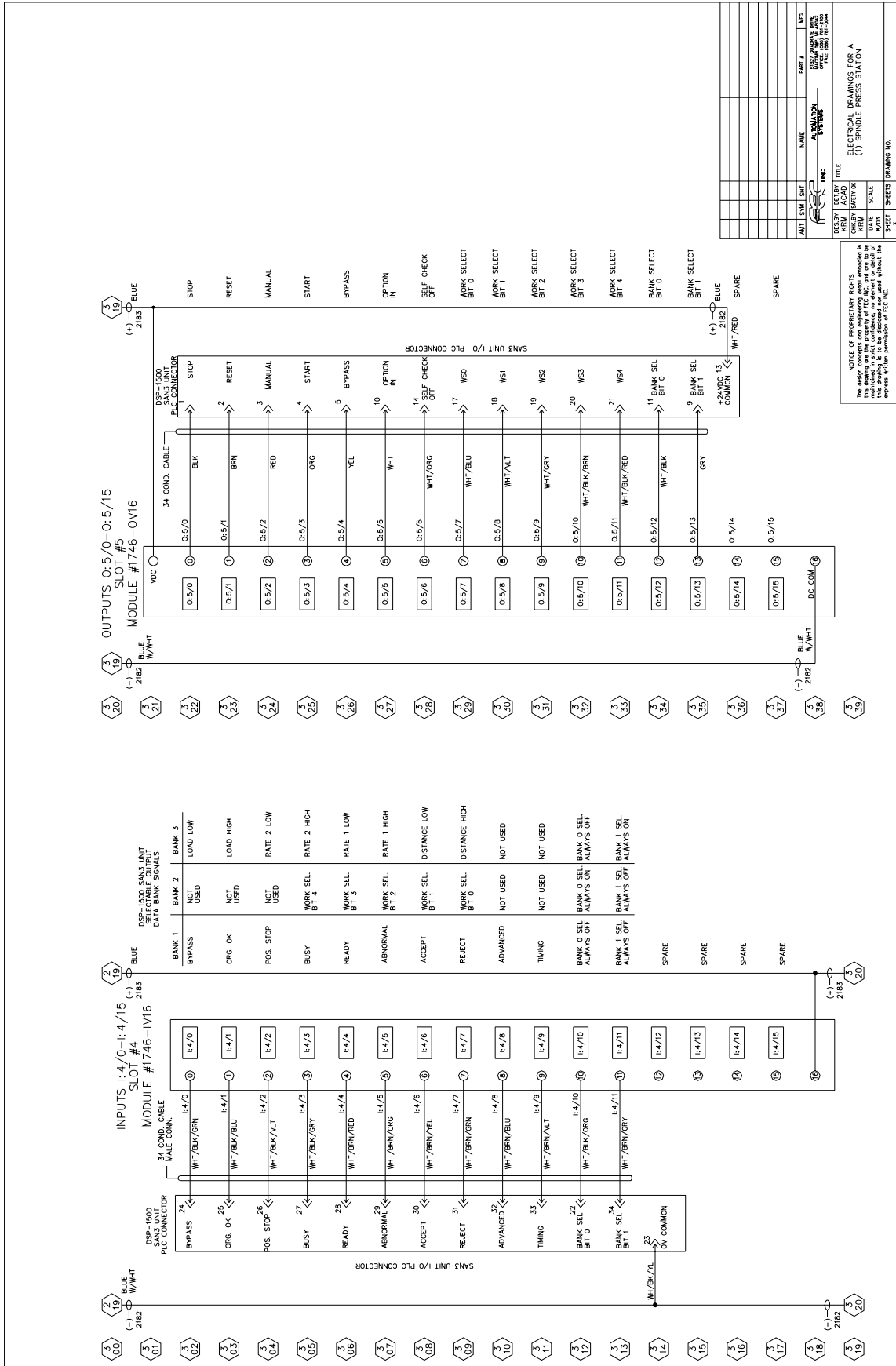


Appendix A: Reference Drawings

Power Wiring Reference



PLC I/O Wiring Reference – Allen Bradley (SLC)



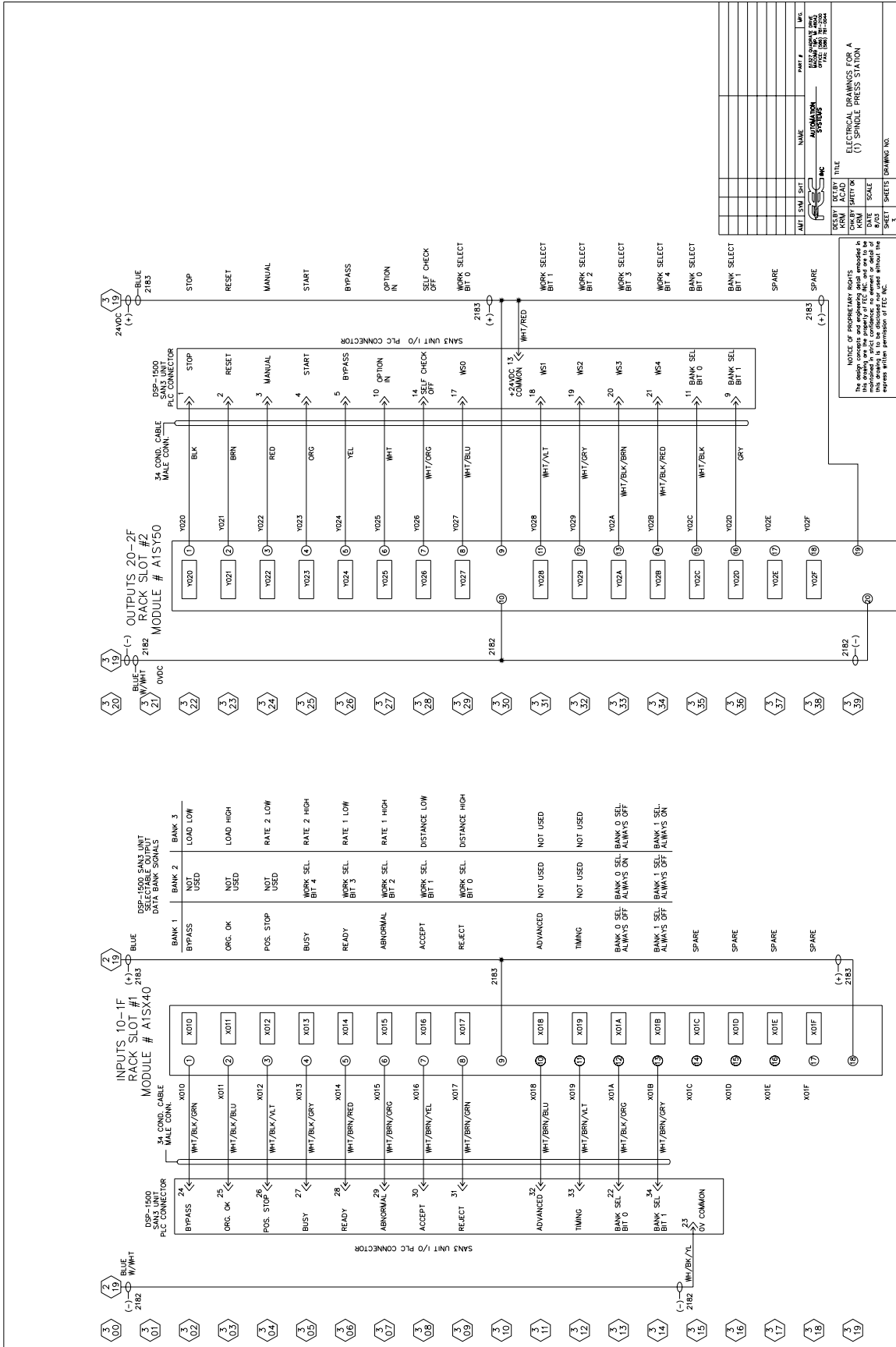
NOTE: If reproduction shows this design or any engineering work embodied in this drawing is the property of TEC INC. and use in this drawing is to be discussed in writing with the representative of TEC INC.

REV	DATE	BY	CHKD	APP'D	DESCRIPTION
1					
2					
3					

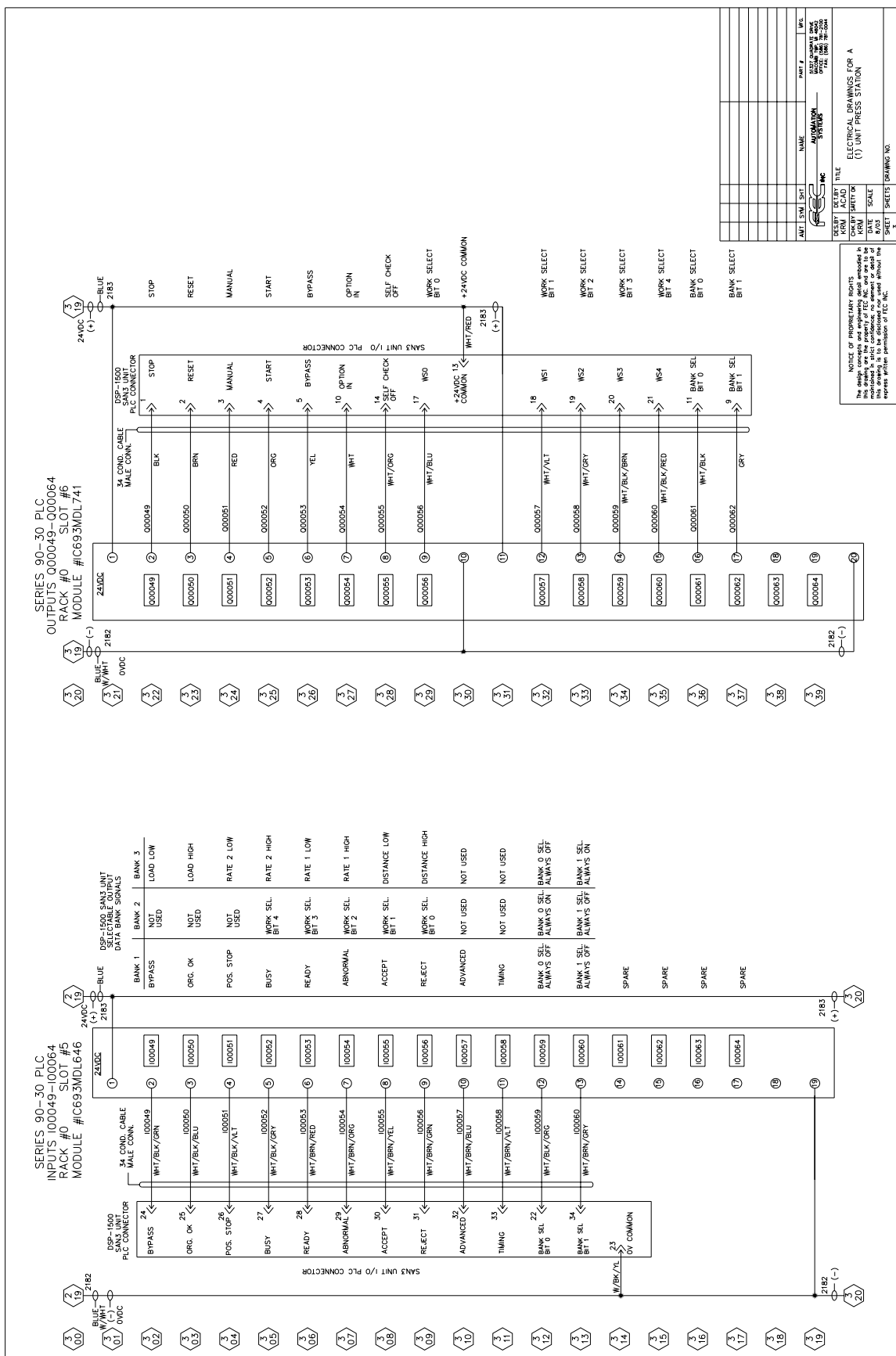
DESIGNER: [Name] DATE: [Date]
 CHECKED: [Name] DATE: [Date]
 APPROVED: [Name] DATE: [Date]

PROJECT: [Project Name] SHEET: [Sheet No.] OF: [Total Sheets]

PLC I/O Wiring Reference – Mitsubishi A1S



PLC I/O Wiring Reference – GE 90-30 Series



enFORCE System Transformers

CHANGES		
5/95 ADDED 230V PRIMARY OPTION		
10/97 ADDED 380V PRIMARY OPTION		
5/00 ADDED 400V PRIMARY TAP OPTION		
5/03 ADDED 575V PRIMARY TAP OPTION		

INPUT H4,H5,H6
400V
60 HERTZ
3 PHASE

INPUT H1,H2,H3*
460V
60 HERTZ
3 PHASE

OUTPUT X4,X5,X6
220V

OUTPUT X1,X2,X3
200V

OUTPUT X7,X8,X9
240V

DIMENSION (IN.)

	A	B	C	D	E
12.0	10.75	7	8.5	9.5	
15.25	12.38	8.63	8.5	10.88	
15.25	12.38	8.63	8.5	10.88	
15.25	12.38	8.63	8.5	10.88	
15.25	12.38	8.63	8.5	10.88	

ENCLOSURE

TOTAL CAPACITY

FEC-1200-1K : 1.0KVA
 FEC-1200-2K : 2.0KVA
 FEC-1200-3K : 3.0KVA
 FEC-1200-4K : 4.0KVA
 FEC-1200-5K : 5.0KVA

* " -230" @ END OF PART#
DENOTES 230VAC PRIMARY

* " -380" @ END OF PART#
DENOTES 380VAC PRIMARY

* " -575" @ END OF PART#
DENOTES 575VAC PRIMARY

CLASS A 115° TEMP. RISE
INSULATION SYSTEM PT-180E

* " -230" @ END OF PART#
DENOTES 230VAC PRIMARY

* " -380" @ END OF PART#
DENOTES 380VAC PRIMARY

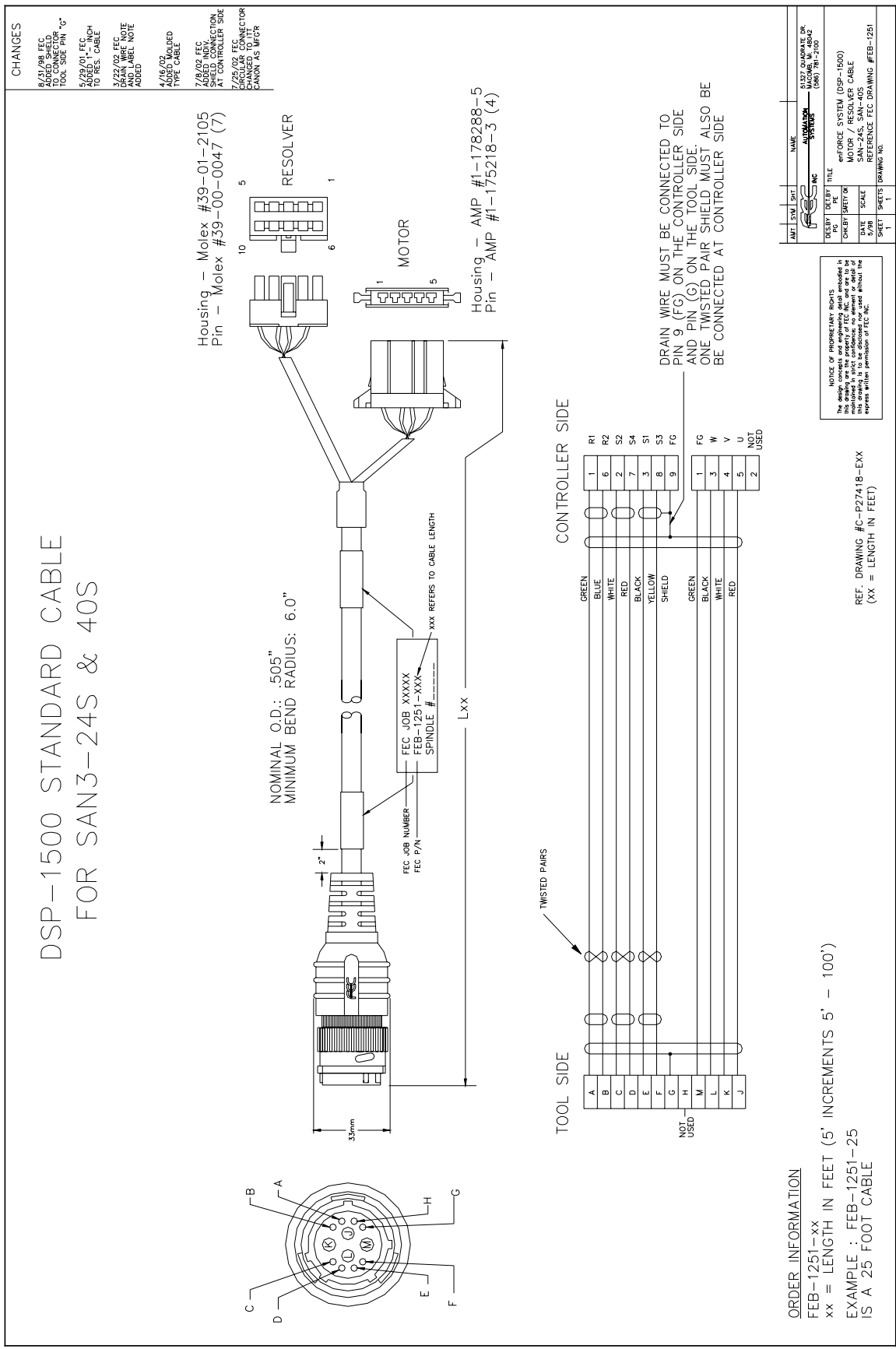
ADD "55" TO END OF PART # FOR 55° TEMP. RISE.(EX. FEC-1200-1K55)

* " -400" @ END OF PART#
DENOTES 400VAC PRIMARY
ADDITIONAL TAP

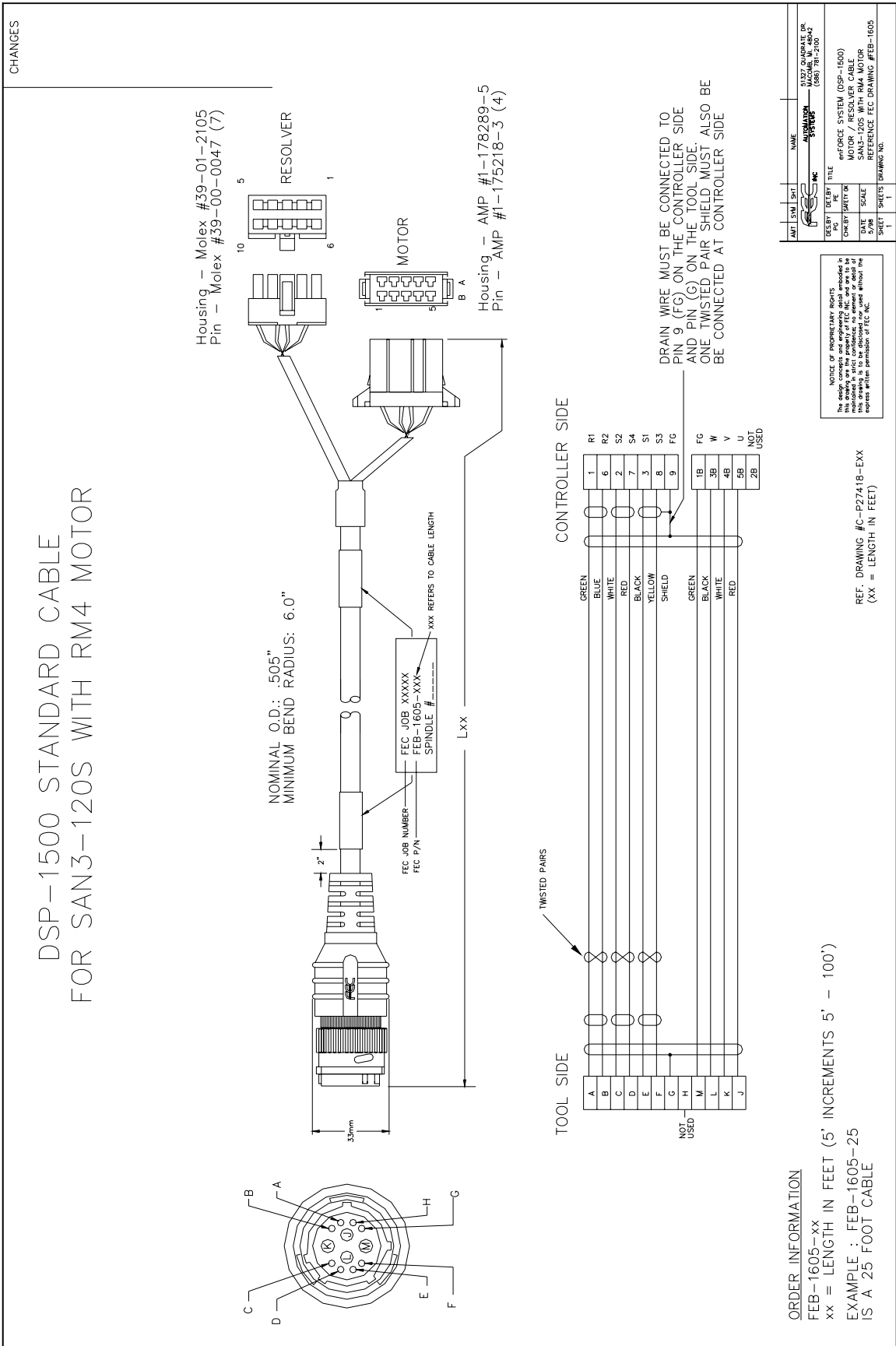
DSP-1500 TRANSFORMER

AMT.	SYM.	SHT.	NAME
			AUTOMATION SYSTEMS INC
DES. BY	DET. BY	TITLE	51327 Quadrate Drive Macomb Twp., MI 48042 (810) 781-2100
CHK BY	SAFETY OK		
PG	SCALE		
DATE	N.A.		
SHEET	SHEETS	DRAWING NO.	FEA 1030
1	1		

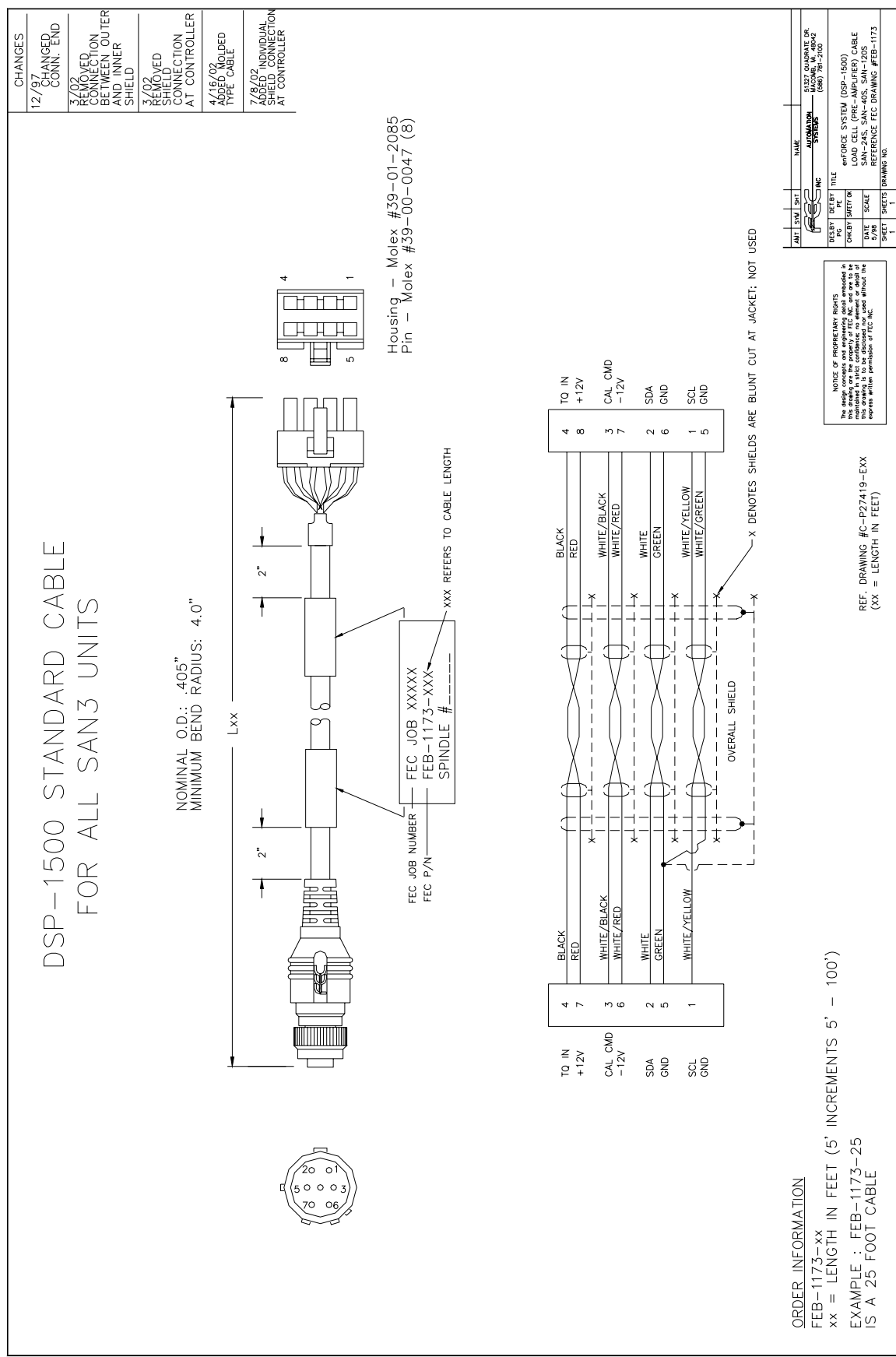
Motor / Resolver Homerun Cable – (SAN3-24S, SAN3-40S)



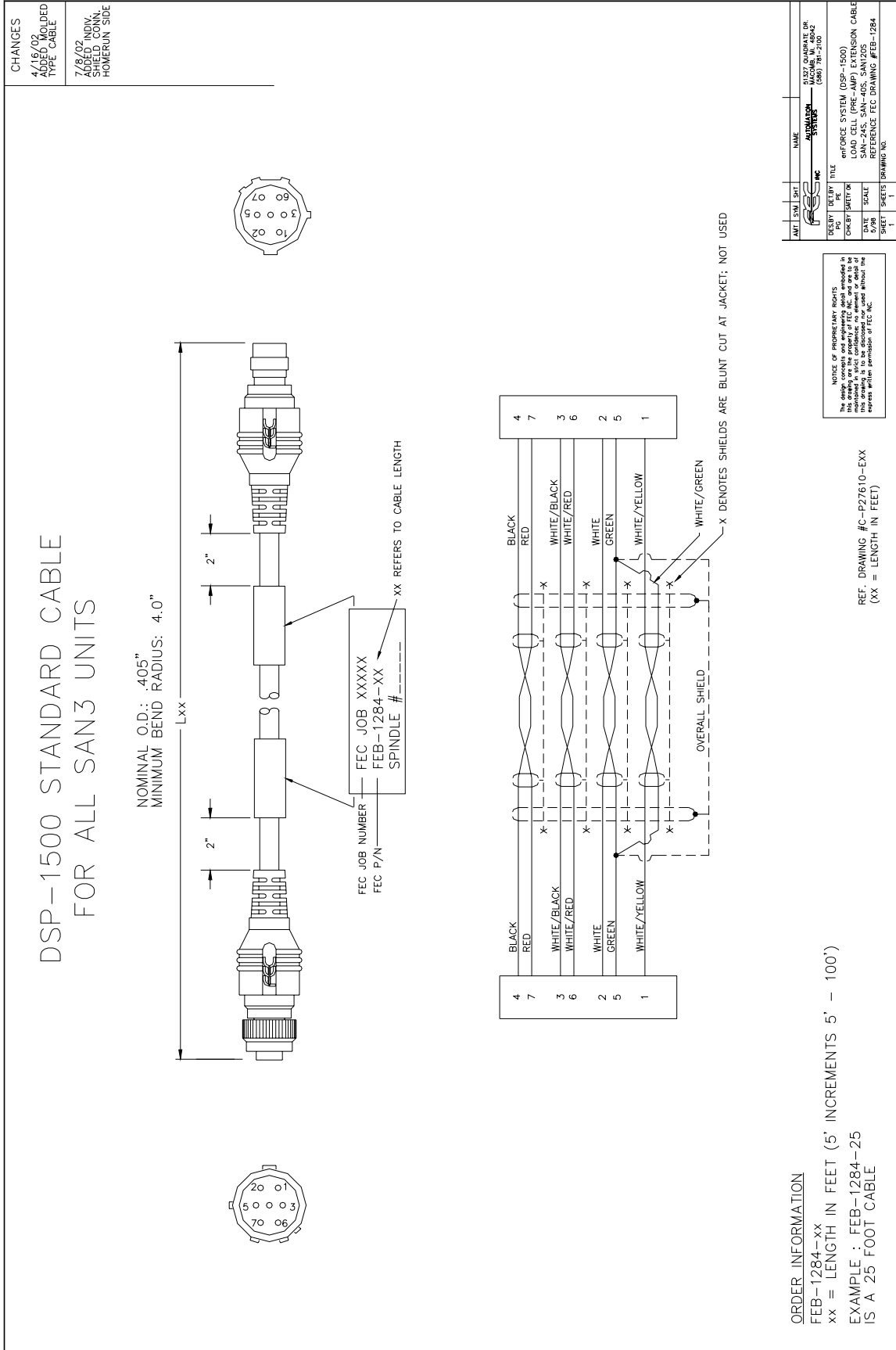
Motor / Resolver Homerun Cable – (SAN3-120S with RM4 Motor)



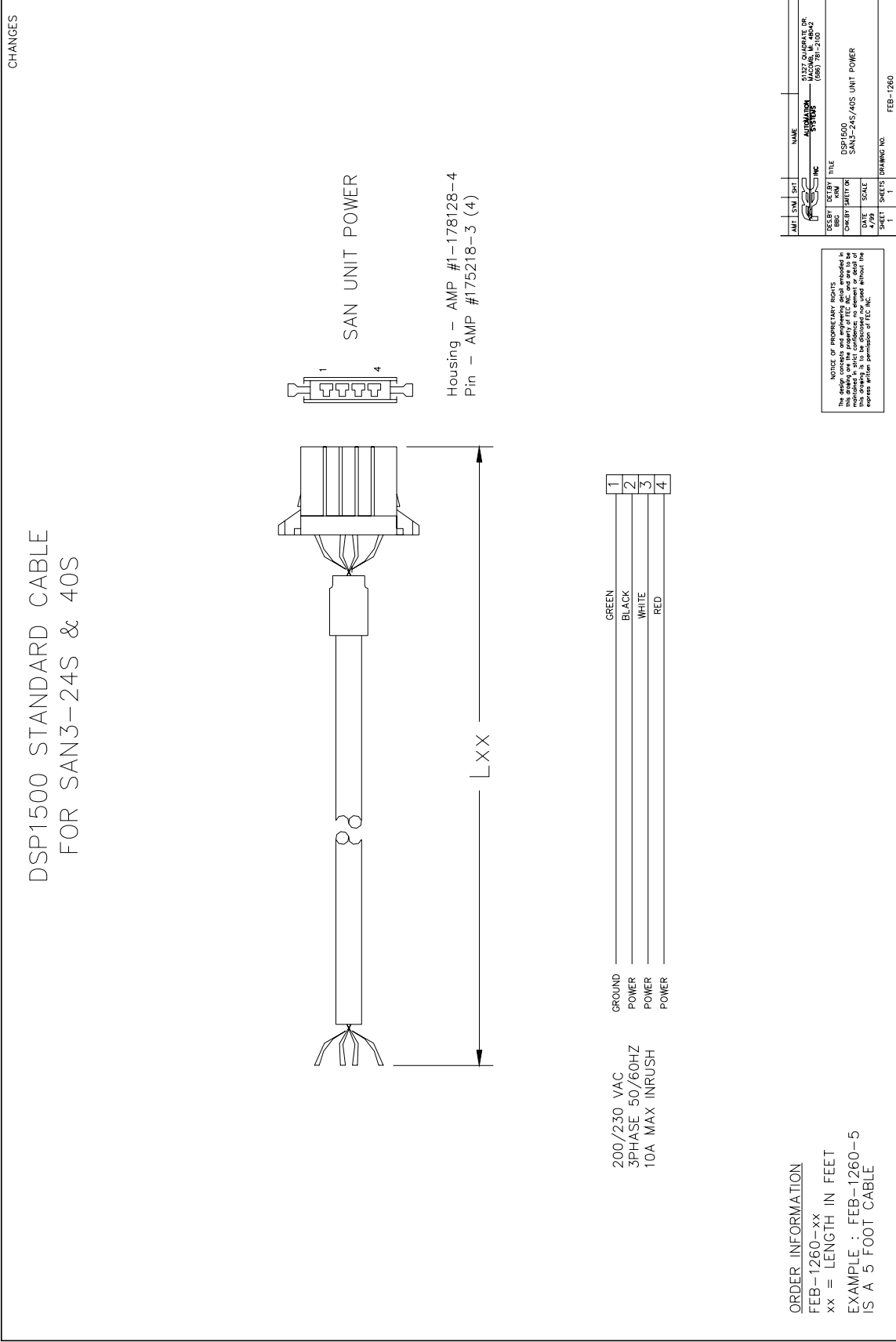
Load Cell (Pre-Amplifier) Homerun Cable – (SAN3-24S, 40S, 120S)



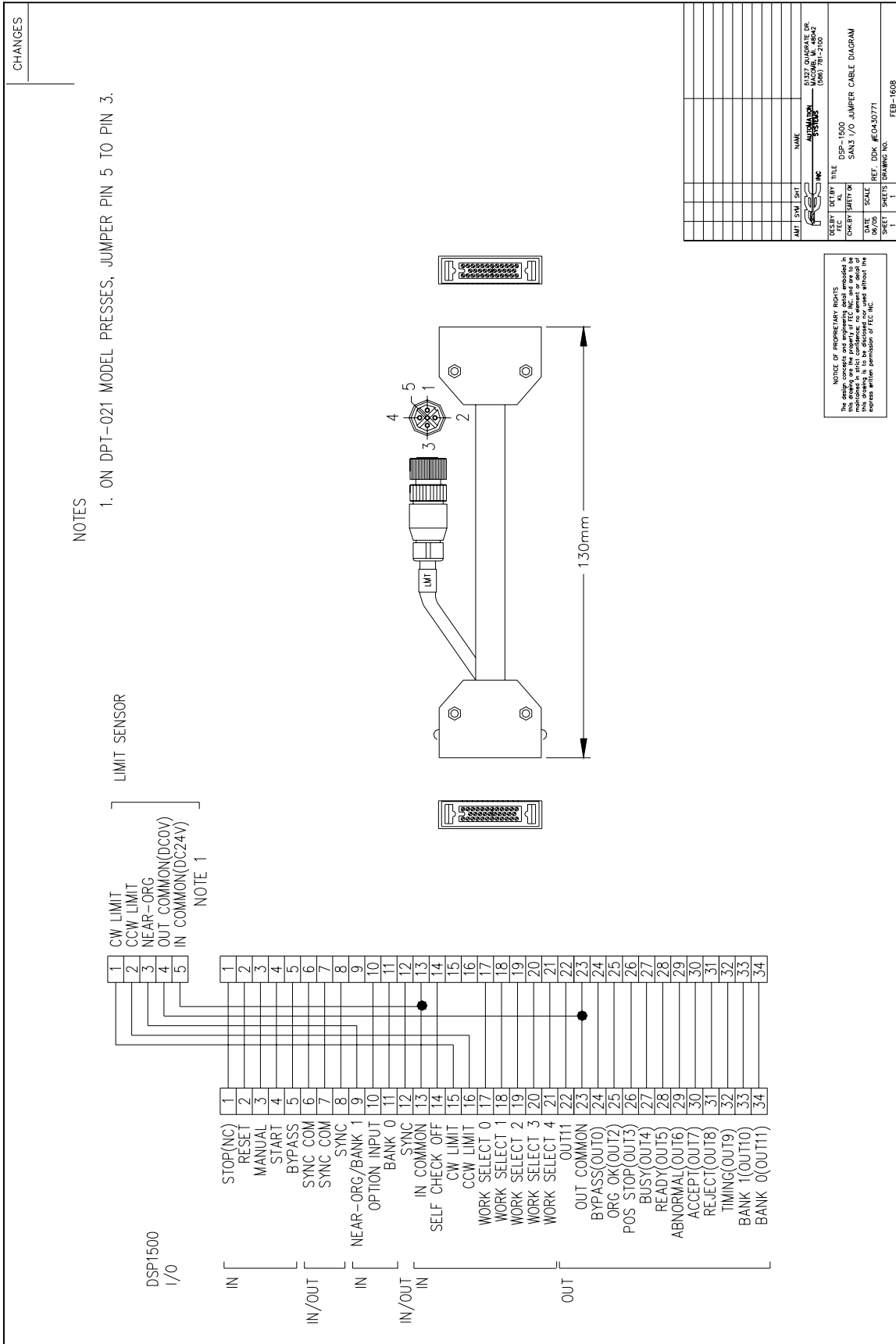
Load Cell (Pre-Amplifier) Extension Cable – (SAN3-24S, 40S, 120S)



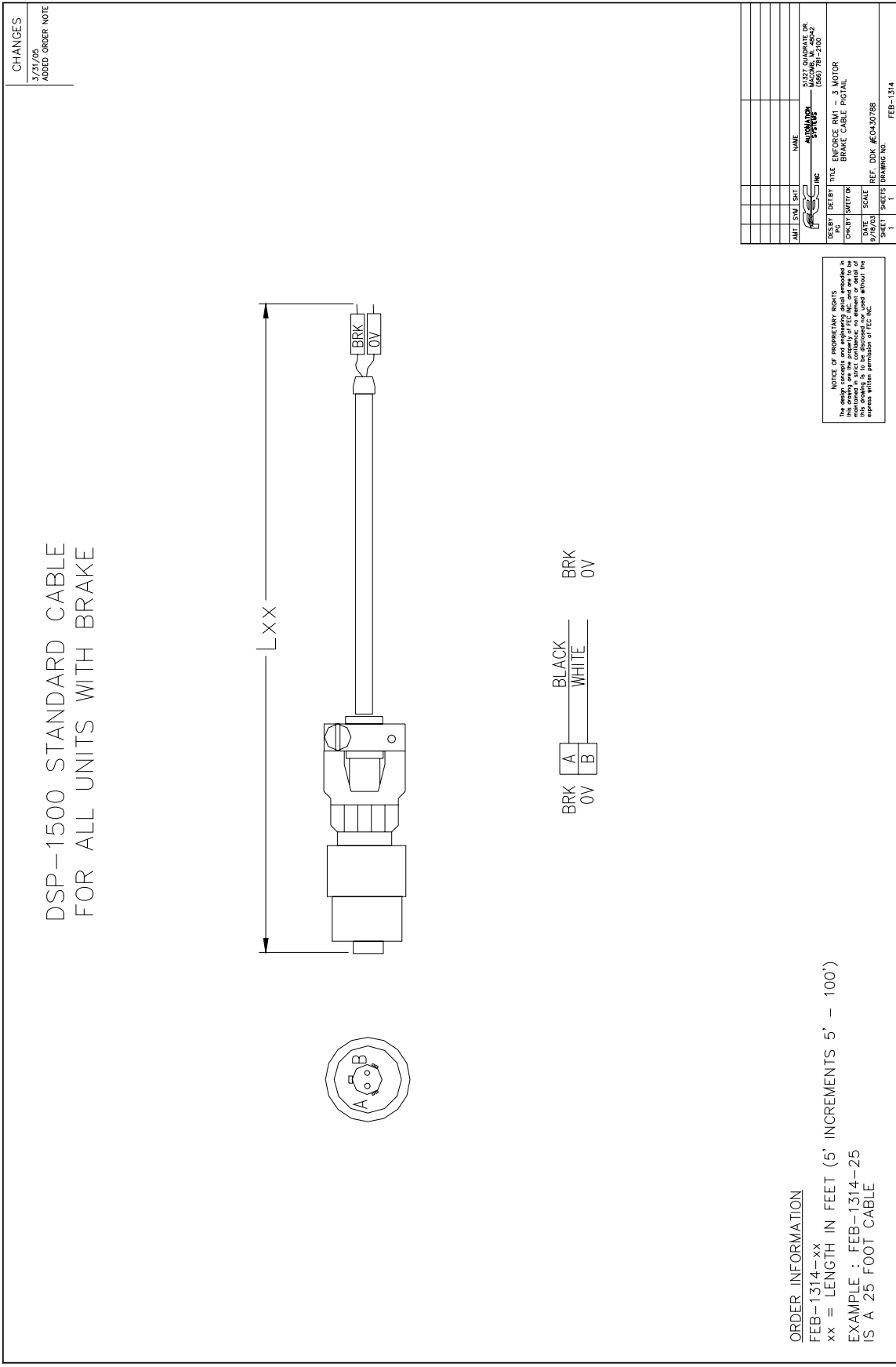
SAN3-24S/40S Power Cable



I/O Proximity Switch Breakout Adapter



Brake Unit Homerun Cable



Brake Unit Extension Cable

