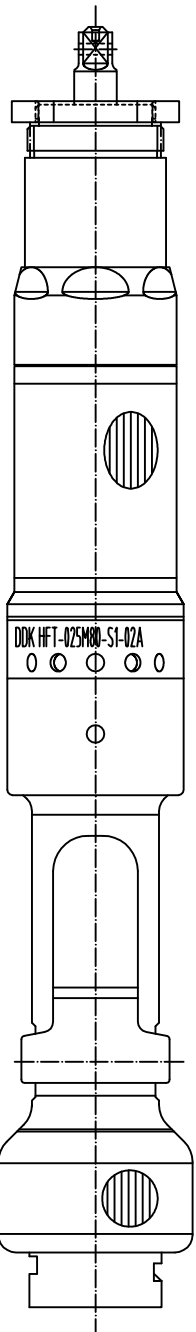
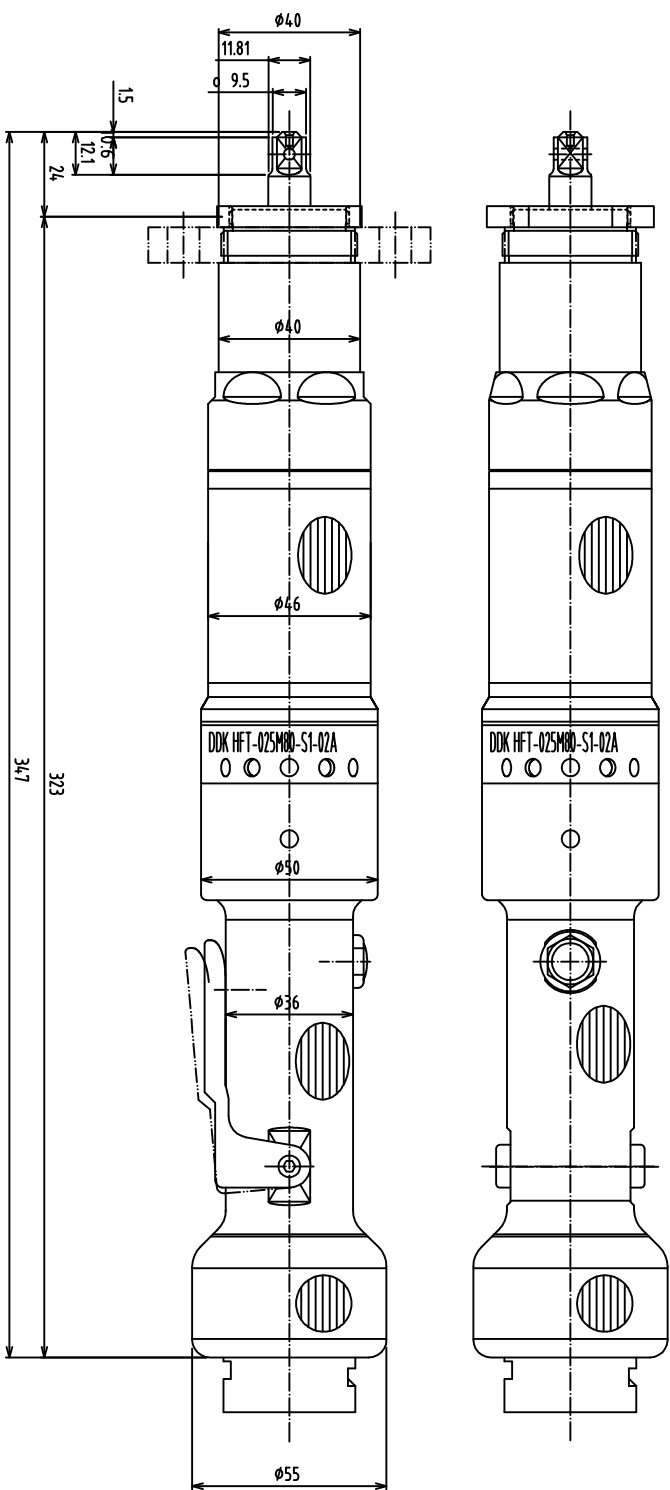
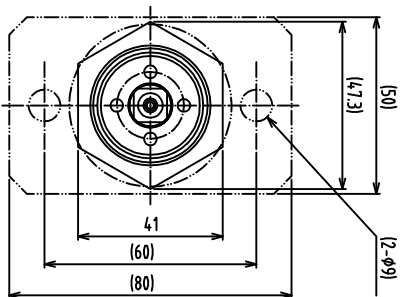


| CHANGES | | |
|---------|----|------|
| SYN | BY | DATE |
| | | |
| | | |



FULL SCALE TORQUE: 25NM
 MAX FREE SPEED: 1000 RPM
 WEIGHT: 1.43Kg (3.2LBS.)

TOLERANCE UNLESS OTHERWISE SPECIFIED
 INCH METRIC
 XX±.01 X±.25
 XXX±.005 XXX±.0127
 XXXX±.0005 XXXX±.0127
 ANGLE±.5° ANGLE±.5°

1. DO NOT SCALE DRAWING.
 2. BREAK ALL SHARP CORNERS & EDGES EXCEPT AS NOTED.
 3. USE HI-COLLAR LOCKWASHERS UNDER ALL SOC. HD. SCREWS.
 4. APPLY LOC-TITE TO ALL SCREWS.

NOTICE OF PROPRIETARY RIGHTS
 The design concepts and engineering detail embodied in this drawing are the property of FEC INC. and are to be maintained in strict confidence; no element or detail of this drawing is to be disclosed nor used without the express written permission of FEC INC.

| REV | DATE | BY | CHKD | APP'D | TITLE |
|-----|--------|----|------|-------|---------------------------------------|
| 1 | 2/6/00 | | | | OUTLINE DRAWING FOR HFT-025M80-S1-02A |

| | | | |
|--------------|-----|-------|--------|
| DESIGN BY | FEC | DATE | 2/6/00 |
| CHKD BY | FEC | SCALE | 1:1 |
| SHEET 1 OF 1 | | | |

| | |
|--------------|-----------------------|
| PART # | HFT-025M80-S1-02A |
| DESCRIPTION | 51927 QUADRANT DRIVE |
| MANUFACTURER | MACHOMP TWP. IN 48042 |
| OFFICE | (580) 783-2100 |