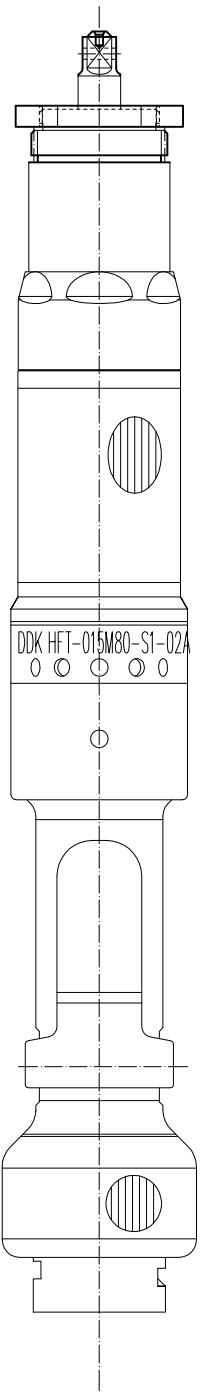
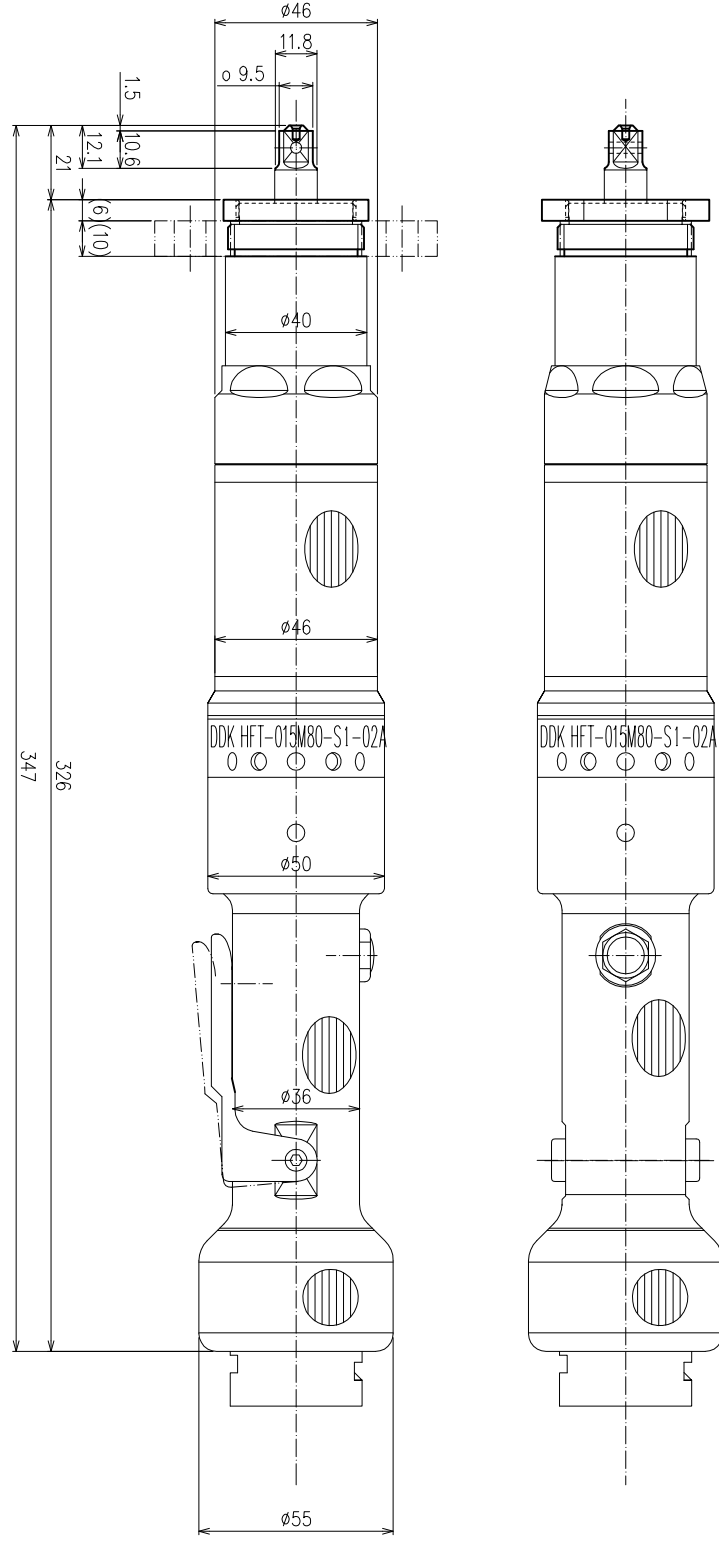
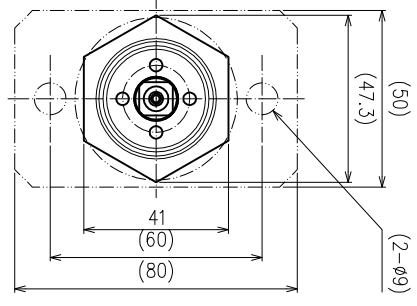


CHANGES		
SYM	BY	DATE



FULL SCALE TORQUE: 15Nm
 MAX FREE SPEED: 1600 RPM
 WEIGHT: 1.4Kg (3.2LBS.)

TOLERANCE UNLESS OTHERWISE SPECIFIED

INCH	XX±.01	METRIC	X±.25
	.XXX±.005		.XX±.127
	.XXXX±.0005		.XXX±.0127
	ANGLE±.5°		ANGLE±.5°

1. DO NOT SCALE DRAWING.
 2. BREAK ALL SHARP CORNERS & EDGES EXCEPT AS NOTED.
 3. USE HI-COLLAR LOCKWASHERS UNDER ALL SOC. HD. SCREWS.
 4. APPLY LOC-TITE TO ALL SCREWS.

NOTICE OF PROPRIETARY RIGHTS

The design concepts and engineering detail embodied in this drawing are the property of FEC INC. and are to be held in strict confidence. No element or detail of this drawing is to be disclosed or used without the express written permission of FEC INC.

DESIGN	DATE	TITLE
FEC	2/4/08	OUTLINE DRAWING FOR FASTENING AUTOMATION
CHK BY		
FEC		
DATE		
SCALE		
2/4/08		
SHEET	1	DRAWING NO. HFT-015M80-S1-02A
		DATE: 08/18/2008
		OFFICE: 1580 78-2100
		3127 QUADRATE DRIVE
		MADISON, WI 53702
		PHONE: (608) 785-2100
		FAX: (608) 785-2100
		WWW.FECINC.COM