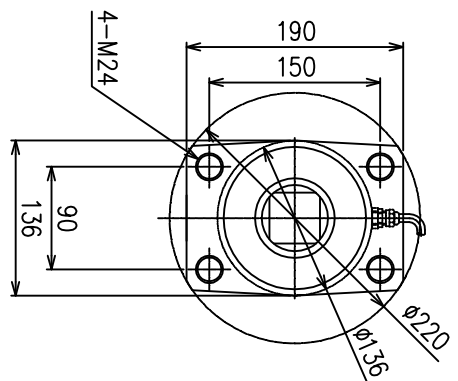
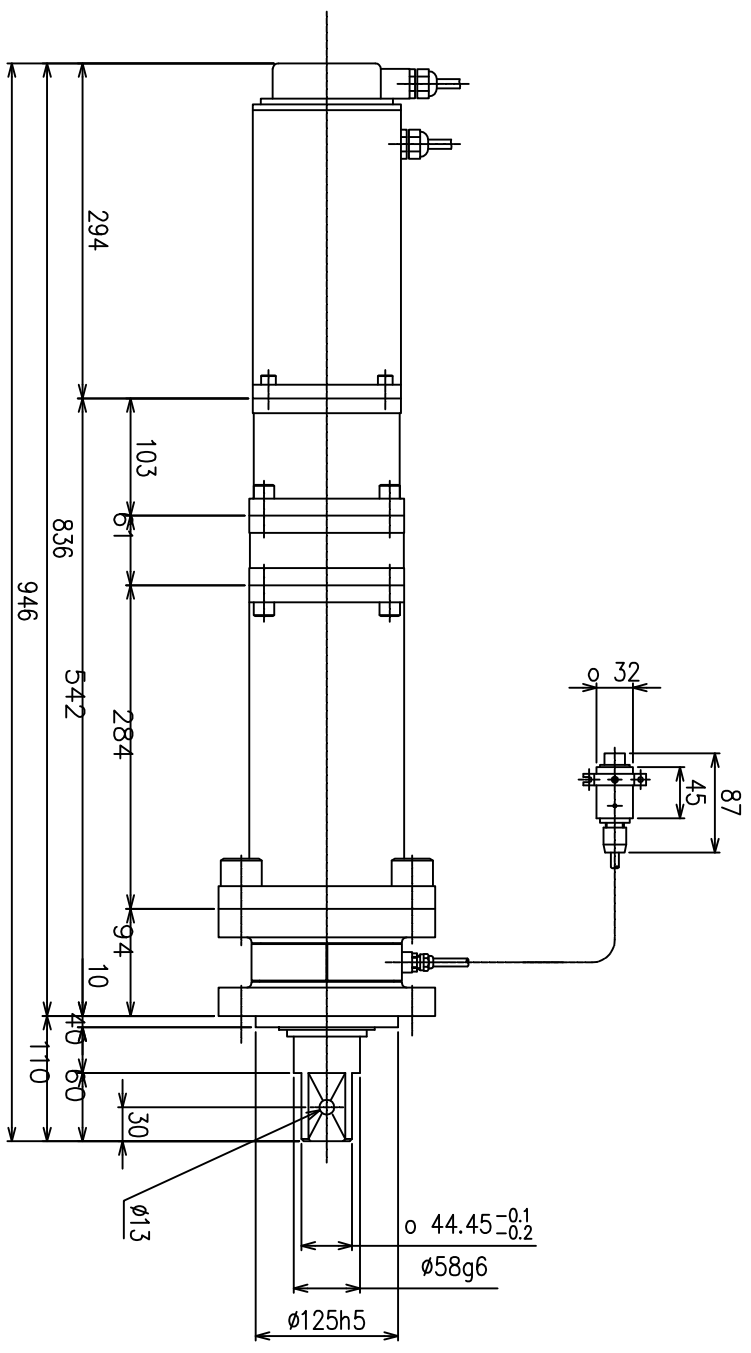


| REV | DATE | BY | CHKD | DESCRIPTION |
|-----|----------|----|------|----------------------|
| 1 | 25/11/20 | | | ISSUED TO PRODUCTION |
| | | | | |
| | | | | |
| | | | | |



1. FULL SCALE TORQUE 400 Kqfm (3925Nm)
2. MAX FREE SPEED 39 RPM
3. (WEIGHT) 70 Kg

TO EXAMINE UNLESS OTHERWISE SPECIFIED

| | | | |
|---------|---------|---------|---------|
| INCH | XX-4-11 | METRIC | XX-4-15 |
| XX-4-18 | XX-4-17 | XX-4-17 | XX-4-17 |
| XX-4-18 | XX-4-17 | XX-4-17 | XX-4-17 |
| XX-4-18 | XX-4-17 | XX-4-17 | XX-4-17 |

1. DO NOT SCALE DRAWING.
 2. BREAK ALL SHARP CORNERS & ANGLES.
 3. BREAK ALL SHARP CORNERS & ANGLES.
 4. APPLY LOCK-TITE TO ALL SCREWS.

NOTICE OF PROPRIETARY RIGHTS: This drawing is the property of PCC INC. and shall not be reproduced, stored in a retrieval system, or transmitted in any form or by any means, electronic, mechanical, photocopying, recording, or by any information storage and retrieval system, without the prior written permission of PCC INC.

| REV | DATE | BY | CHKD | DESCRIPTION |
|-----|----------|----|------|----------------------|
| 1 | 25/11/20 | | | ISSUED TO PRODUCTION |
| | | | | |
| | | | | |
| | | | | |

WPT-1438RMS-5