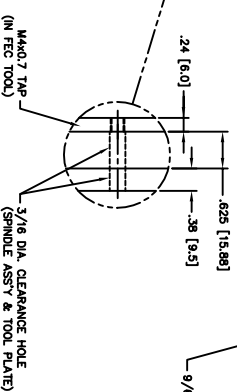
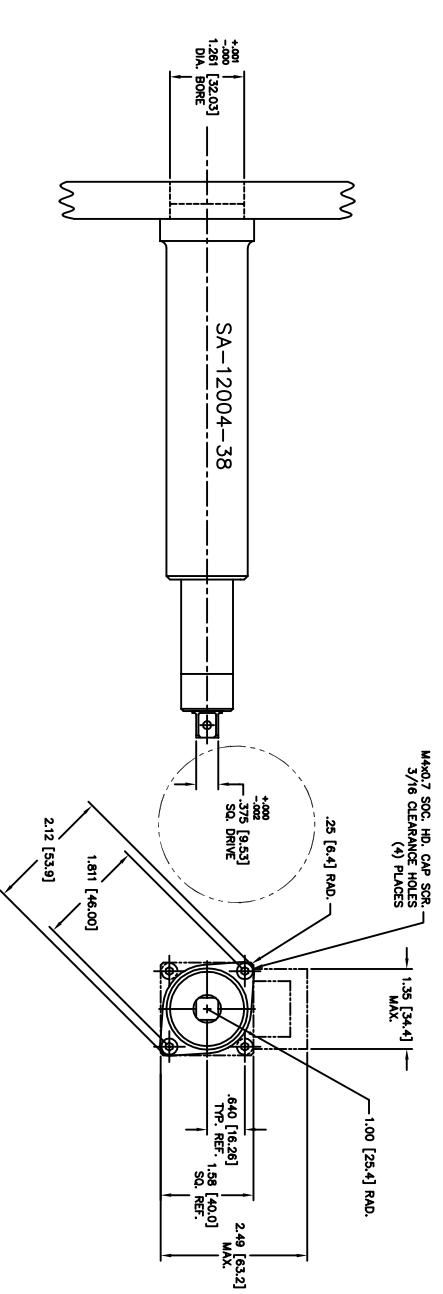
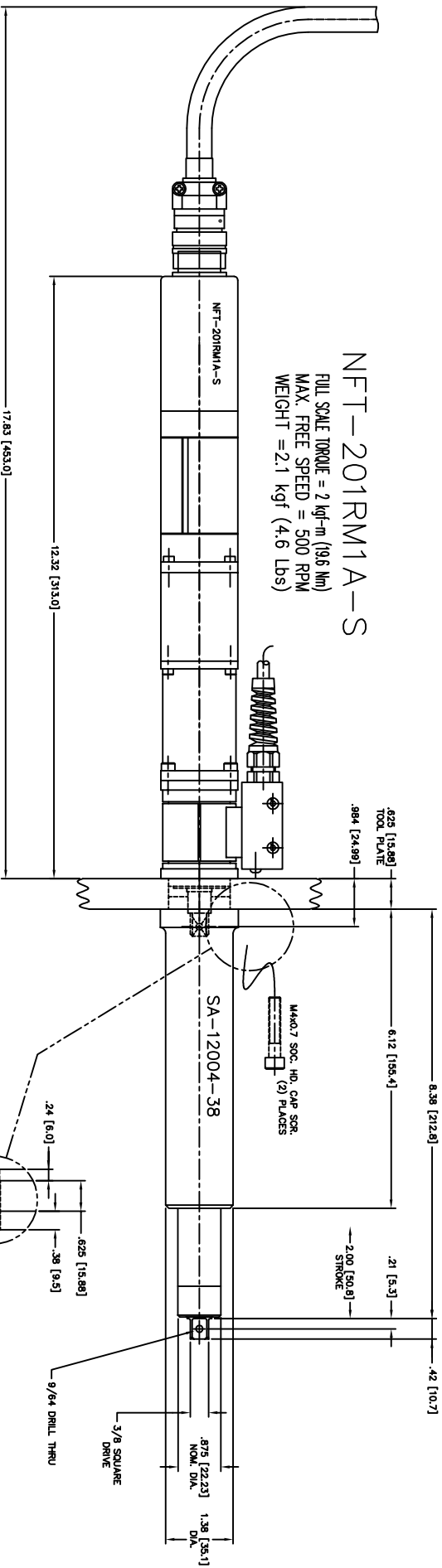


TOOL & SPINDLE ASSEMBLY TOGETHER

NFT-201RM1A-S
 FULL SCALE TORQUE = 2 kgf-m (9.6 Nm)
 MAX. FREE SPEED = 500 RPM
 WEIGHT = 2.1 kgf (4.6 Lbs)



TOLERANCE UNLESS OTHERWISE SPECIFIED

INCHES	MM
.001	.025
.005	.127
.010	.254
.015	.381
.020	.508
.030	.762
.040	1.016
.050	1.270
.060	1.524
.070	1.778
.080	2.032
.090	2.286
.100	2.540
.125	3.175
.150	3.810
.175	4.445
.200	5.080
.250	6.350
.300	7.620
.375	9.525
.450	11.430
.500	12.700
.625	15.875
.750	19.050
.875	22.225
1.000	25.400
1.250	31.750
1.500	38.100
1.750	44.450
2.000	50.800
2.500	63.500
3.000	76.200
3.750	95.250
4.500	114.300
5.000	127.000

1. DO NOT SCALE DIMENSIONS
 2. EDGES EXCEPT AS NOTED.
 3. USE HI-COLLAR LOCKWASHERS UNDER ALL SOG. HD. SCREWS.
 4. APPLIC. LOC-TITE TO ALL SCREWS.

DESIGN/	DATE	BY	CHKD	APP	SCALE	SHEETS
ENGR						1
DRG						1
APP						1
SCALE						1
7/8" DIA.						1
2" STROKE						1

SNL	BY	REVISION	DATE

NOTICE OF PROPRIETARY RIGHTS
 The design, drawings and specifications contained herein are the property of FDC INC. and are to be used only for the purpose intended. No part of this drawing is to be disclosed or used without the express written permission of FDC INC.