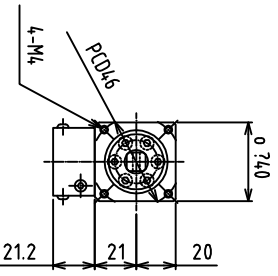
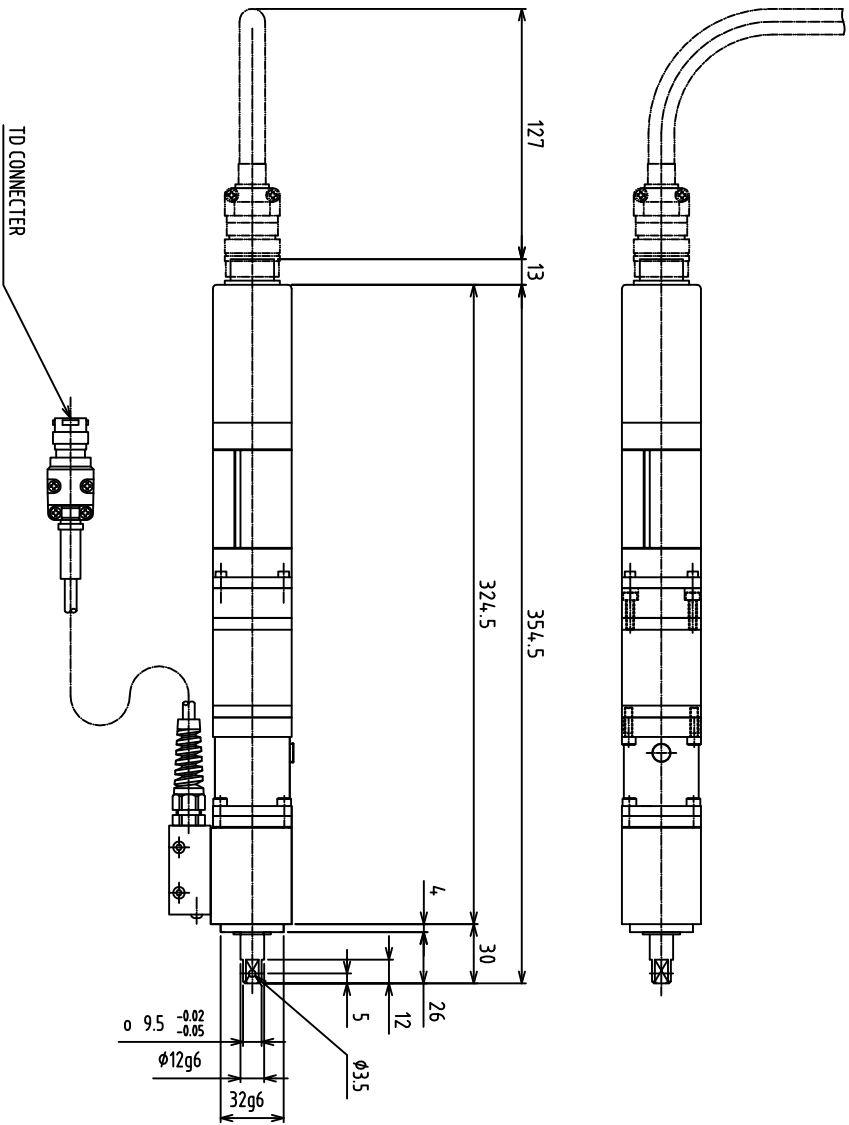


REV	DATE	DESCRIPTION
1		ISSUED FOR DESIGN
2		REVISED TO DESIGN
3		REVISED TO DESIGN
4		REVISED TO DESIGN
5		REVISED TO DESIGN



FULL SCALE TORQUE: 0.1KGf (.98NM)
 MAX. FREE SPEED: 1100 RPM
 WEIGHT: 1.9KG

TOOL CABLES MUST BE SECURED TO PREVENT ANY PULLING FORCES ARE APPLIED TO TOOL!
 TOOL IS HIGHLY SENSITIVE TO SHOCK / VIBRATION.

TOLERANCE UNLESS OTHERWISE SPECIFIED
 Holes: JXXX-d1, KXXX-d1, LXXX-d1, MXXX-d1, NXXX-d1, PXXX-d1, RXXX-d1, SXXX-d1, TXXX-d1, UXXX-d1, VXXX-d1, WXXX-d1, XXXX-d1, YXXX-d1, ZXXX-d1
 ANGLES: 45°, 60°, 90°, 120°, 150°, 180°
 1. UNLESS OTHERWISE SPECIFIED, ALL DIMENSIONS ARE IN MILLIMETERS.
 2. DIMENSIONS EXCEPT AS NOTED.
 3. USE H-COLLAR LOCKWASHERS UNDER ALL SOX. HD SCREWS.
 4. APPLY LOC-1116 TO ALL SCREWS.

REV	DATE	DESCRIPTION
1		ISSUED FOR DESIGN
2		REVISED TO DESIGN
3		REVISED TO DESIGN
4		REVISED TO DESIGN
5		REVISED TO DESIGN